

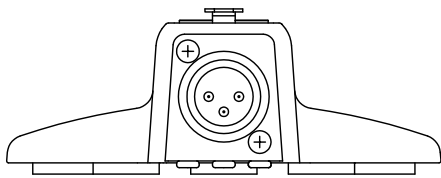
DESCRIPTION

The ST-800 is a desk-top microphone stand base designed for exclusive use with the EM-800 Gooseneck Microphone (optional). It features compact and stable design.

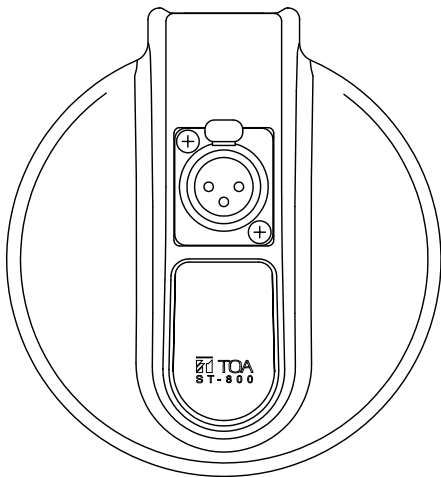
SPECIFICATIONS

Input Connector	XLR-3-31 equivalent
Output Connector	XLR-3-32 equivalent
Finish	Die-cast zinc, black, mat finish, paint
Dimensions	115 (W) × 40 (H) × 124 (D) mm (4.53" × 1.57" × 4.88")
Weight	715 g (1.58 lb)

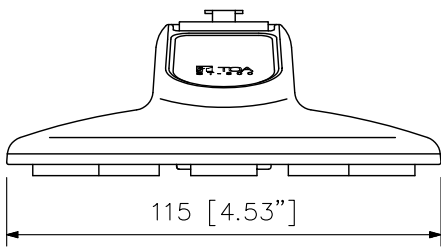
APPEARANCE



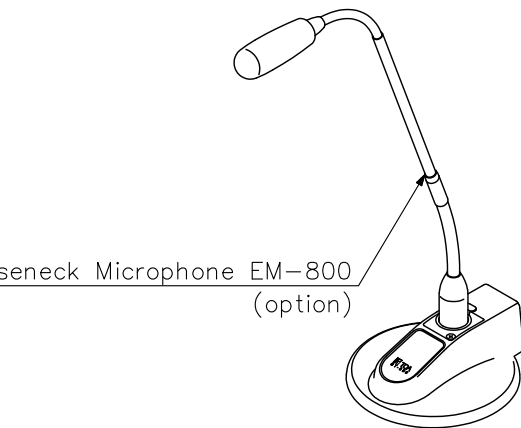
Rear View



Top View

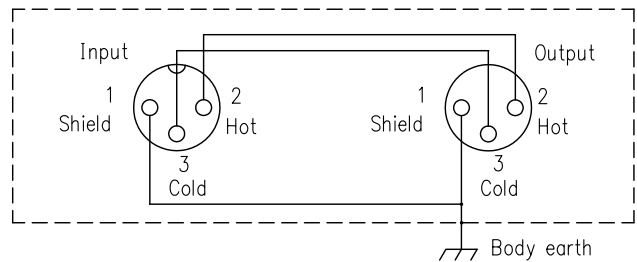


Front View

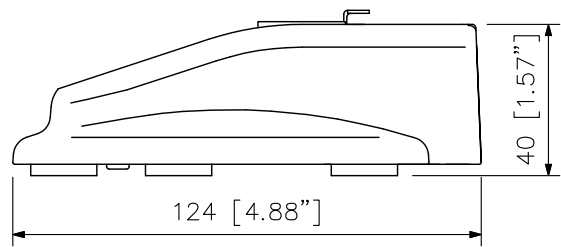


Gooseneck Microphone EM-800 (option)

Mounting example



Circuit diagram



Side View

UNIT:mm SCALE:1/2